

KAWASAKI NINJA300 EEC SLIP-ON R-77S CARBON END

Be sure to read the instruction carefully before starting the work. It is necessary to follow the contents to install Yoshimura product.



- CAUTION** Before beginning installation, let motorcycle cool down.
- CAUTION** Be sure not to damage each parts during installation.
- CAUTION** Torque specification must be followed. If neglected, it may cause bolt and nut to fall off and damage to Yoshimura product and motorcycle.
- CAUTION** Metal Magic sleeve is coated with heat-resistant paint. Handle with care not to be hit or scratched by surroundings as the coating may come off. When cleaning silencer, use soft cloth with dish soap but do not use metal polish or chemical cleaner.
- CAUTION** Titanium Blue sleeve is colored by anodizing. Handle with care as the color may change. When cleaning silencer, use soft cloth with dish soap but do not use metal polish or chemical cleaner.

1. Product Information:

Description	Kawasaki Ninja300 EEC Slip-On R-77S Carbon End	Type of Engine	EX300AE
Part Number	Stainless Sleeve (SSC) : 1A0-228-5W50	Cyclone Type	K227S77C1A
	Metal Magic Sleeve (SMC) : 1A0-228-5W20	Main Material	Stainless steel
	Titanium Sleeve (STC) : 1A0-228-5W80	Weight	(SSC) & (SMC) : 2.4kg
	Titanium Blue Sleeve (STBC) : 1A0-228-5W80B	[STD : 4.3kg]	(STC) & (STBC) : 2.2kg

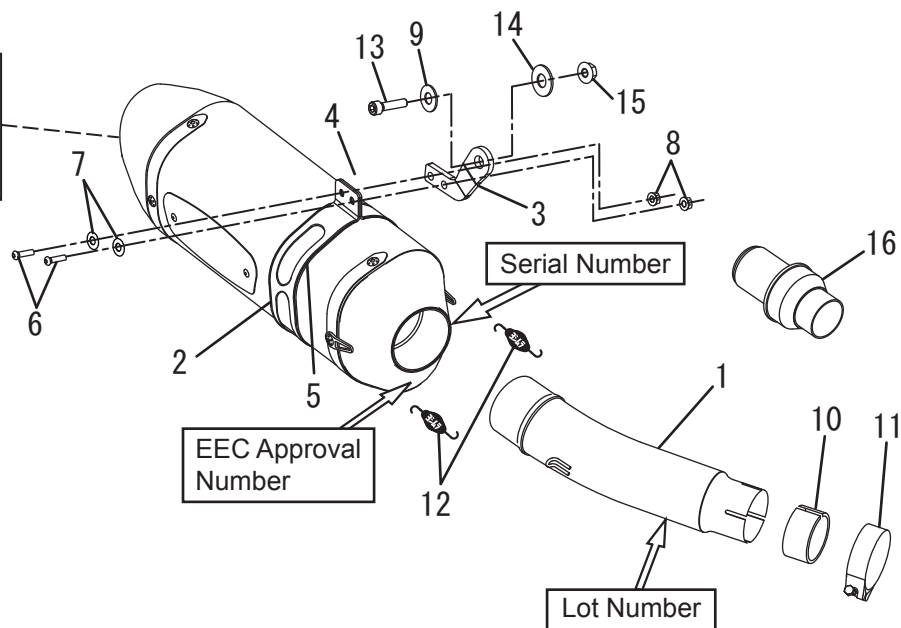
2. Contents:

No.	Descriptions	Part No.	Q'ty	No.	Descriptions	Part No.	Q'ty
1	Tailpipe	115-227-5W00	1	8	Flange Nut M6	823-006-1000	2
2	Silencer Assy Stainless Sleeve	1A6-228-5W50	1	9	Washer M10x22	812-110-2216	1
	Silencer Assy Metal Magic Sleeve	1A6-228-5W20		10	Gasket #228	129-228-3000	1
	Silencer Assy Titanium Sleeve	1A6-228-5W80		11	Clamp Band 40-43	162-777-4043	1
	Silencer Assy Titanium Blue Sleeve	1A6-228-5W80B		12	Exhaust Spring	118-001-0000	2
	Silencer Bracket	161-227-0200		1	13	Cap Bolt M10x60 P1.5	800-210-6060
4	Silencer Band	162-22R-G500	1	14	Washer M10x30x3	812-410-3003	1
5	Silencer Band Rubber	896-016-0835	1	15	Flange Nut M10 P1.5	823-010-1500	1
6	Button Bolt M6x15	803-206-4015	2	16	Tailpipe dB Killer #127	138-138-35C7	1
7	Washer M6	812-206-1310	2				

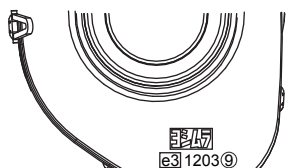
Parts Diagram

SD#103 (Pre-installed)
Parts No. : 138-138-19A3-01

CAUTION
Without SD#103, the EEC Approval is not valid.



Front of Right Silencer Assy



EEC Approval Number