

HONDA CB1000R STREET SPORTS SLIP-ON R-77J STAINLESS END / CARBON END

Be sure to read the instruction carefully before starting the work. It is necessary to follow the contents for installing the Yoshimura Slip-on.

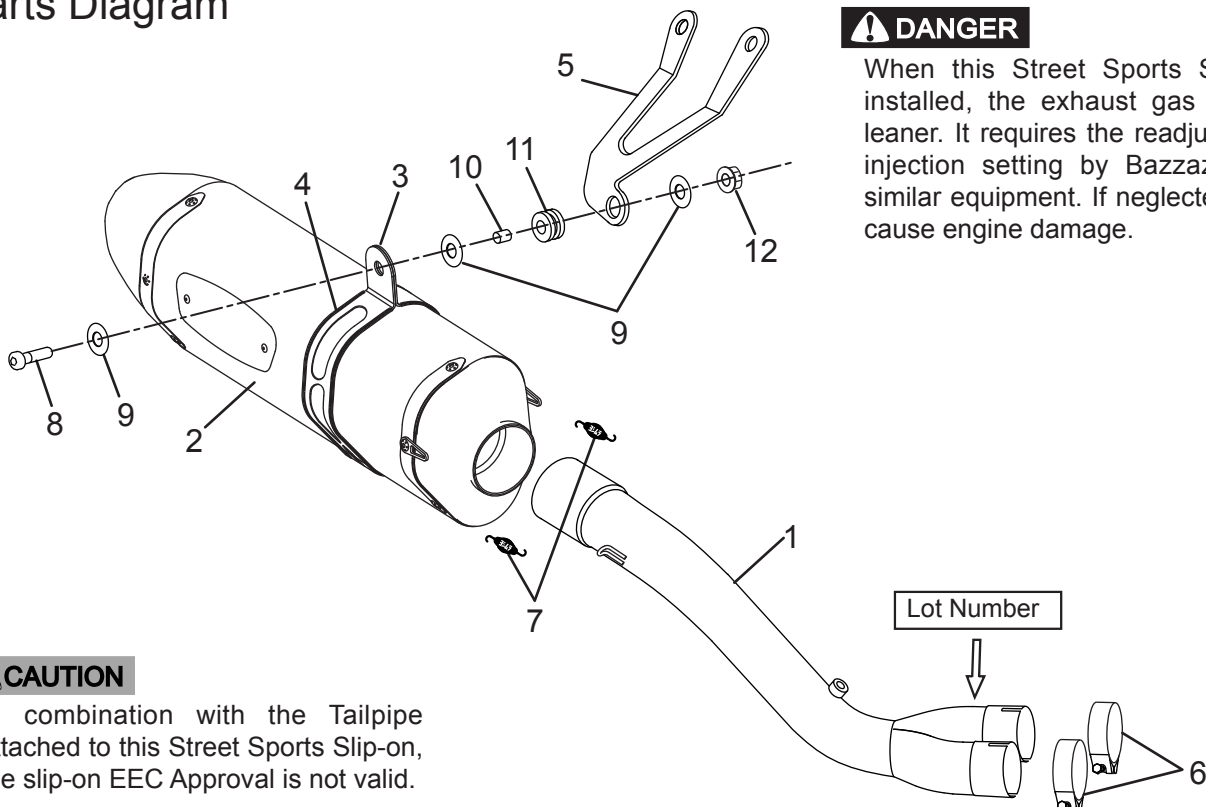
1. Product Information:

Description	Honda CB1000R Street Sports Slip-On R-77J Stainless End / Carbon End	Main Material	Stainless Steel
Cyclone Type	HSR480S77C1	Part Number (Stainless End)	Stainless Sleeve ; 170-480-5V50
Weight [STD; 11.4kg]	Stainless End / (SS)&(SM) : 3.6kg, (ST) : 3.4kg Carbon End / (SS)&(SM) : 3.5kg, (ST) : 3.3kg		Titanium Sleeve ; 170-480-5V80
Applicable Model	Honda CB1000R '08-	Part Number (Carbon End)	Stainless Sleeve ; 170-480-5W50
Type of Engine	SC60E		Titanium Sleeve ; 170-480-5W80

2. Contents:

No.	Descriptions	Part No.	Q'ty	No.	Descriptions	Part No.	Q'ty
1	Tailpipe	185-480-5V50	1	5	Aluminum Bracket	161-480-0200	1
2-A	Silencer Assy, Stainless Sleeve	1A6-213-5V50	1	6	Clamp Band 43-47	162-777-4347	2
	Silencer Assy, Metal Magic Sleeve	1A6-213-5V20		7	Exhaust Spring (Floating)	118-001-0000	2
	Silencer Assy, Titanium Sleeve	1A6-213-5V80		8	Cap Bolt M8x30	800-208-5030	1
	Silencer Assy, Stainless Sleeve	1A6-213-5W50		9	Washer M8x26	812-108-2600	3
2-B	Silencer Assy, Metal Magic Sleeve	1A6-213-5W20	1	10	Grommet Spacer 8-12-12	850-208-1212	1
	Silencer Assy, Titanium Sleeve	1A6-213-5W80		11	Grommet Rubber	553-565-0000	1
3	Silencer Band	162-CLX-1121	1	12	Flange Nut M8	823-008-1250	1
4	Silencer Band Rubber	896-016-0835	1				

Parts Diagram



⚠ DANGER

When this Street Sports Slip-on is installed, the exhaust gas becomes leaner. It requires the readjustment of injection setting by Bazzaz Z-Fi or similar equipment. If neglected, it may cause engine damage.

⚠ CAUTION

In combination with the Tailpipe attached to this Street Sports Slip-on, the slip-on EEC Approval is not valid.