



KAWASAKI Z800

STREET SPORTS SLIP-ON R-11 SINGLE EXIT

Be sure to read the instruction carefully before starting the work. It is necessary to follow the contents to install Yoshimura slip-on.

Product information



- CAUTION** Before beginning installation, let motorcycle cool down.
- CAUTION** Be sure not to damage each parts during installation.
- CAUTION** Torque specification must be followed. If neglected, it may cause bolt and nut to fall off and damage to Yoshimura slip-on and motorcycle.
- CAUTION** Metal Magic sleeve is coated with heat-resistant paint. Handle with care not to be hit or scratched by surroundings as the coating may come off. When cleaning silencer, use soft cloth with dish soap but do not use metal polish or chemical cleaner.
- CAUTION** Titanium Blue sleeve is colored by anodizing. Handle with care as the color may change. When cleaning silencer, use soft cloth with dish soap but do not use metal polish or chemical cleaner.

1. Product Information :

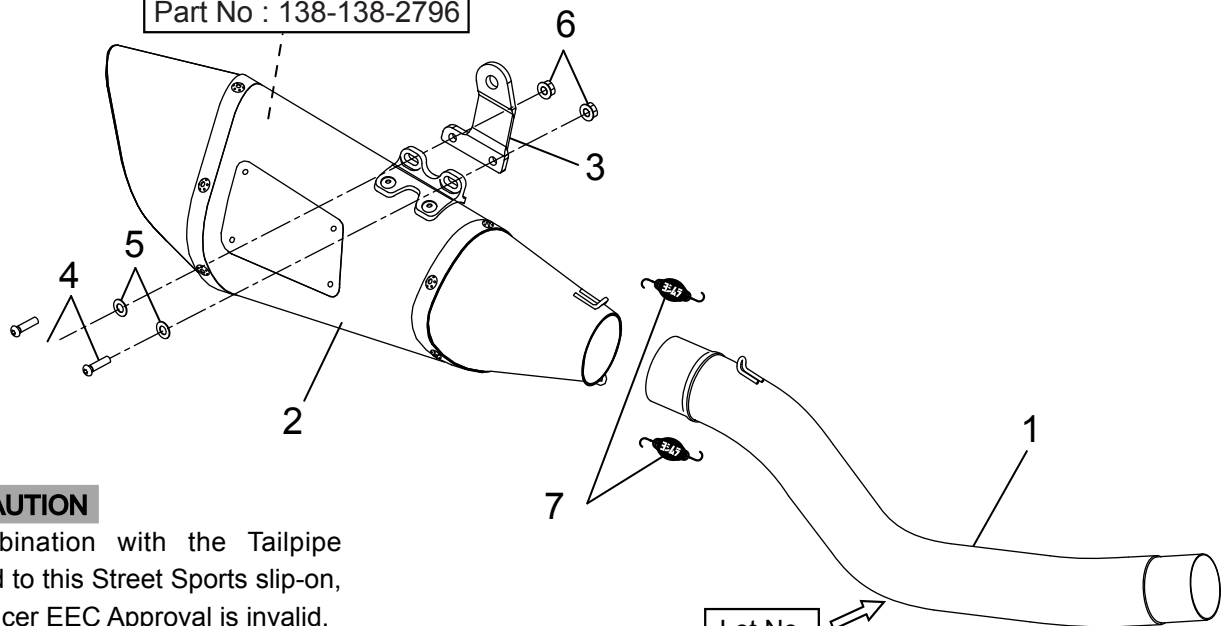
Description	Kawasaki Z800	Applicable Model	Kawasaki Z800
	Street Sports Slip-on R-11 Single Exit	Type of Engine	ZR800AE
Cyclone Type	KSP287S11C1	Part Number	Stainless Sleeve (SSC) ; 180-287-5E50
Weight [STD 6.4kg]	(SSC) & (SMC) ; 2.5kg		Metal Magic Sleeve (SMC) ; 180-287-5E20
	(STC) & (STBC) ; 2.3kg		Titanium Sleeve (STC) ; 180-287-5E80
Main Material	Stainless steel		Titanium Blue Sleeve (STBC) ; 180-287-5E80B

2. Contents :

No.	Descriptions	Part No.	Q'ty	No.	Descriptions	Part No.	Q'ty
1	Tailpipe	185-287-5E00	1	3	Silencer Bracket	161-287-0200	1
2	Silencer Assy, (SSC)	1A6-287-5E50	1	4	Button Bolt M6x20	803-206-4020	2
	Silencer Assy, (SMC)	1A6-287-5E20		5	Washer M6	812-106-0000	2
	Silencer Assy, (STC)	1A6-287-5E80		6	Flange Nut M6	823-006-1000	2
	Silencer Assy, (STBC)	1A6-287-5E80B		7	Exhaust Spring	118-001-0000	2

SD#96 (Pre-installed)
Part No : 138-138-2796

Parts Diagram



CAUTION

In combination with the Tailpipe attached to this Street Sports slip-on, the silencer EEC Approval is invalid.