



## KAWASAKI Z900RS / Z900RS CAFE STREET SPORTS SLIP-ON BREVIS

Be sure to read the instruction carefully before starting the work. It is necessary to follow the contents to install Yoshimura product.



- CAUTION** Before beginning installation, let motorcycle cool down.
- CAUTION** Be sure not to damage each part during installation.
- CAUTION** Torque specification must be followed. If neglected, it may cause bolt and nut to fall off and damage to Yoshimura product and motorcycle.
- CAUTION** Titanium Blue sleeve is colored by anodizing. Handle with care as the color may change. When cleaning silencer, use soft cloth with dish soap but do not use metal polish or chemical cleaner.

### 1. Product Information :

Description	Kawasaki Z900RS/Z900RS CAFE Street Sports Slip-On BREVIS		
Cyclone Type	K269SCI11	Main Material	Stainless steel
Part Number	Stainless Sleeve (SS) : 180-269-5450	Weight [STD : 2.2kg]	(SS) : 2.2kg
	Titanium Sleeve (ST) : 180-269-5480		(ST) : 2.0kg
	Titanium Blue Sleeve (STB) : 180-269-5480B		(STB) : 2.0kg

### 2. Applicable Model :

Model	Kawasaki Z900RS(18-21)/Z900RS CAFE(18-21)
-------	---

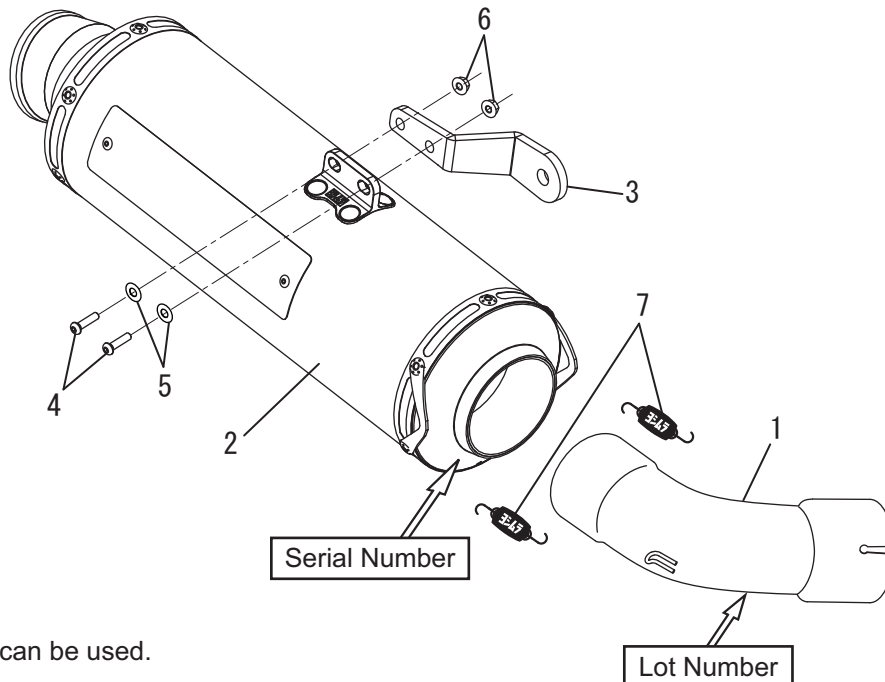
### 3. Optional Part :

Description	Part No.
Optional Heat Guard	194-269-0010

### 4. Contents:

No.	Descriptions	Part No.	Q'ty	No.	Descriptions	Part No.	Q'ty
1	Tailpipe	115-269-5400	1	4	Button Bolt M6x20	803-206-4020	2
2	Silencer Assy Stainless Sleeve	186-269-5450	1	5	Washer M6x13	812-206-1310	2
	Silencer Assy Titanium Sleeve	186-269-5480		6	Flange Nut M6	823-006-1000	2
	Silencer Assy Titanium Blue Sleeve	186-269-5480B		7	Exhaust Spring	118-001-0000	2
3	Silencer Bracket	161-269-0220	1				

### Parts Diagram



#### REFERENCE

Optional main stand can be used.