

SUZUKI SV650/X STREET SPORTS TYPE-E SLIP-ON R-77J CARBON END

Product information



Be sure to read the instruction carefully before starting the work. It is necessary to follow the contents to install Yoshimura slip-on.

- ! CAUTION** Before beginning installation, let motorcycle cool down.
- ! CAUTION** Be sure not to damage each part during installation.
- ! CAUTION** Torque specification must be followed. If neglected, it may cause bolt and nut to fall off and damage to Yoshimura product and motorcycle.
- ! CAUTION** Metal Magic sleeve is coated with heat-resistant paint. Handle with care not to be hit or scratched by surroundings as the coating may come off. When cleaning silencer, use soft cloth with dish soap but do not use metal polish or chemical cleaner.

1. Product Information :

Description	SUZUKI SV650 Street Sports Type-E Slip-on R-77J Carbon End		
Part Number	Metal Magic Sleeve (SMC) : 170-169-5W20	Cyclone Type	S169S77C1
	Satin Finish Sleeve (SSFC) : 170-169-5W30	Main Material	Stainless steel
	Stainless Sleeve (SSC) : 170-169-5W50	Weight [STD : 2.8kg]	SMC/SSFC/SSC : 3.2kg

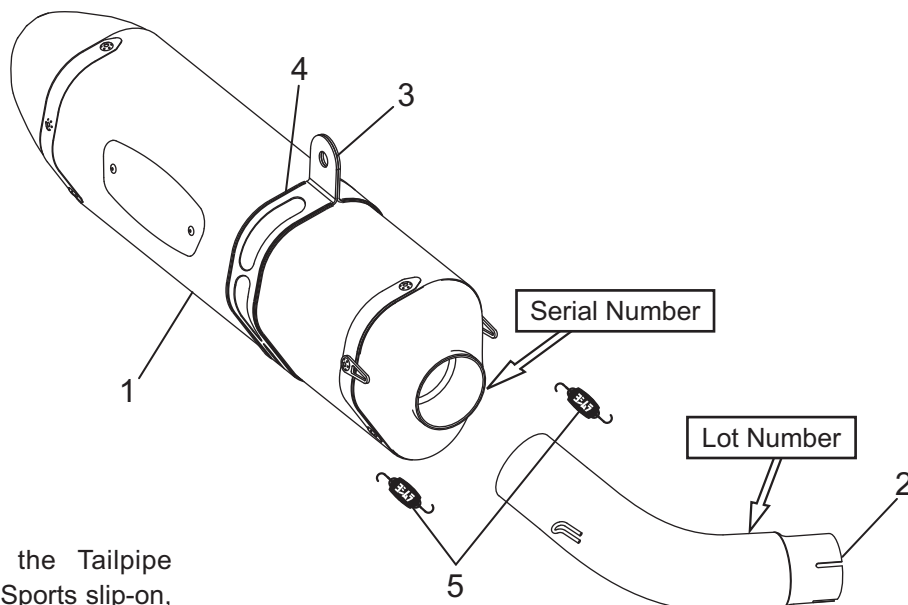
2. Applicable Model :

Model	SUZUKI SV650 / SV650X
-------	-----------------------

3. Contents :

No.	Descriptions	Part No.	Q'ty	No.	Descriptions	Part No.	Q'ty
1	Silencer Assy, (SMC)	1F6-169-5W20	1	3	Silencer Band	162-CAX-1321	1
	Silencer Assy, (SSFC)	1F6-169-5W30		4	Silencer Band Rubber	896-016-0835	1
	Silencer Assy, (SSC)	1F6-169-5W50		5	Exhaust Spring	118-001-0000	2
2	Tailpipe	115-169-5V00	1				

Parts Diagram



! CAUTION

In combination with the Tailpipe attached to this Street Sports slip-on, the EEC Approval is not valid.