

YAMAHA YZF-R25/MT-25 / YZF-R3/MT-03 STREET SPORTS SLIP-ON R-11 SINGLE EXIT

Product information



Be sure to read the instruction carefully before starting the work. It is necessary to follow the contents to install Yoshimura product.

- ! CAUTION** Before beginning installation, let motorcycle cool down.
- ! CAUTION** Be sure not to damage each part during installation.
- ! CAUTION** Torque specification must be followed. If neglected, it may cause bolt and nut to fall off and damage to Yoshimura product and motorcycle.
- ! CAUTION** Metal Magic sleeve is coated with heat-resistant paint. Handle with care not to be hit or scratched by surroundings as the coating may come off. When cleaning silencer, use soft cloth with dish soap but do not use metal polish or chemical cleaner.
- ! CAUTION** Titanium Blue sleeve is colored by anodizing. Handle with care as the color may change. When cleaning silencer, use soft cloth with dish soap but do not use metal polish or chemical cleaner.

1. Product Information:

Description	YAMAHA YZF-R25/MT-25 / YZF-R3/MT-03 Street Sports Slip-On R-11 Single Exit			
Part Number	Metal Magic Sleeve (SM)	: 180-348-5E20	Cyclone Type	Y348S11C1
	Titanium Sleeve (SSF)	: 180-348-5E30	Main Material	Stainless steel
	Titanium Blue Sleeve (STB)	: 180-348-5E80B	Weight	(SM) & (SSF) : 2.3kg (STB) : 2.1kg
			[STD : 2.7kg]	

2. Applicable Model :

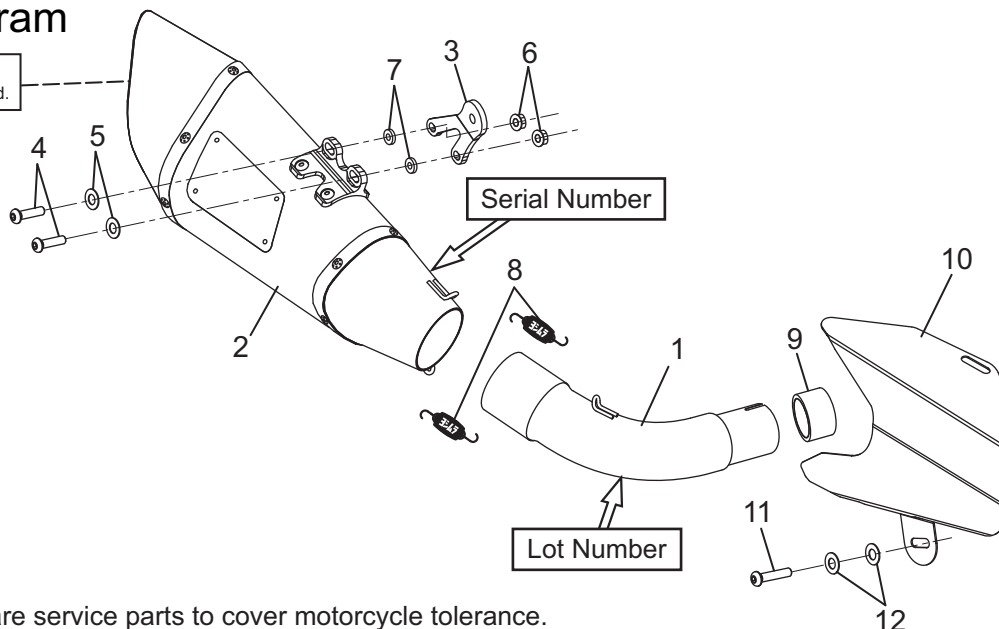
Model	YAMAHA YZF-R25/MT-25(19-) / YZF-R3/MT-03(18-)
-------	---

3. Contents:

No.	Descriptions	Part No.	Q'ty	No.	Descriptions	Part No.	Q'ty
1	Tailpipe	185-348-5E00	1	6	Flange Nut M6	823-006-1000	2
2	Silencer Assy Metal Magic Sleeve	186-49A-5F20	1	7	Spacer 6-12-8	850-006-1208	2
	Silencer Assy Satin Finish Sleeve	186-49A-5F30		8	Exhaust Spring	118-001-0000	2
	Silencer Assy Titanium Blue Sleeve	186-49A-5F80B		9	Gasket #346	129-346-3000	1
3	Silencer Bracket	161-346-0200	1	10	Heat Guard	161-348-0000	1
4	Button Bolt M6x30	803-206-4030	2	11	Button Bolt M6x20	803-206-4020	1
5	Washer M6x13	812-206-1310	2	12	Washer M6x14	812-106-1401	2

Parts Diagram

*Note
No dB killer is installed.



*No. 11 & No. 12 are service parts to cover motorcycle tolerance.