

SUZUKI GSX1300R HAYABUSA K8- STREET SPORTS SLIP-ON R-77J STAINLESS END / CARBON END



Be sure to read the instruction carefully before starting the work. It is necessary to follow the contents for installing the Yoshimura Slip-On.

1. Product Information :

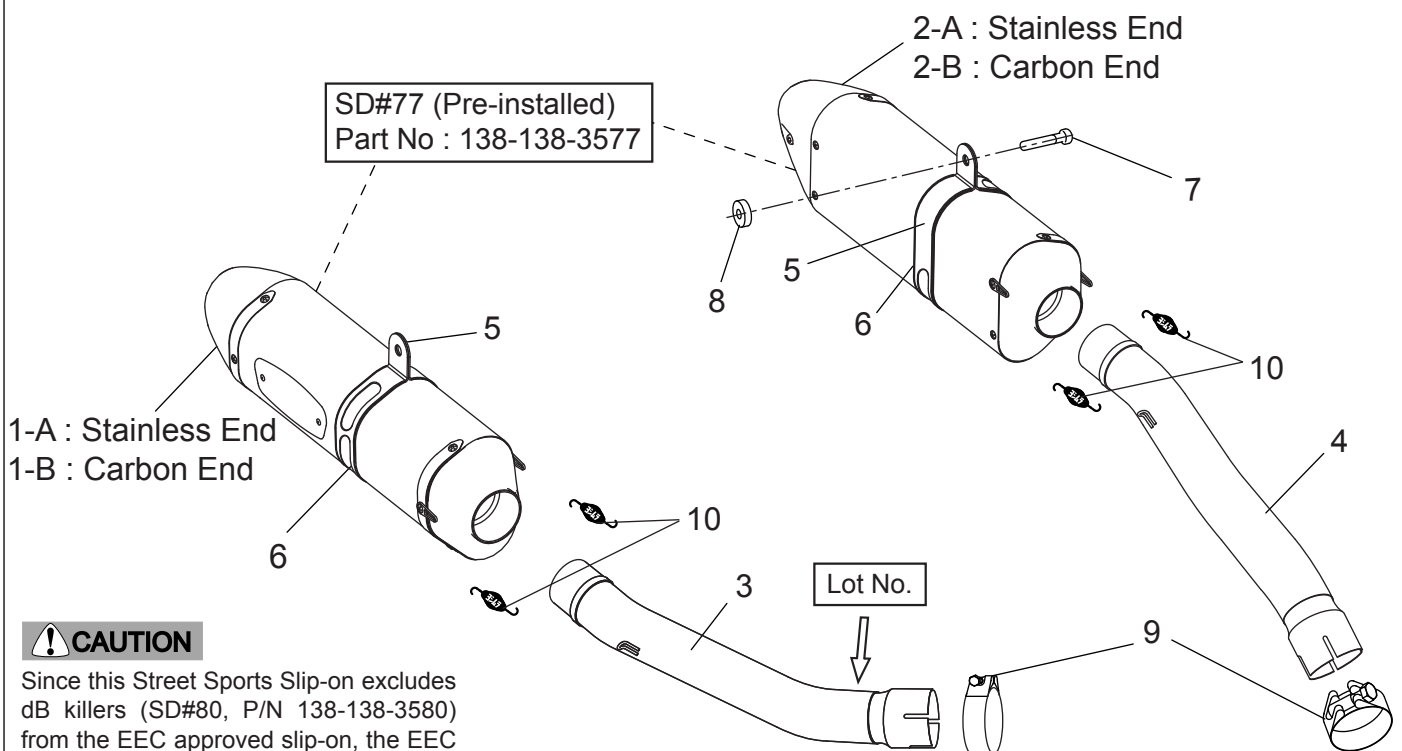
Description	Suzuki GSX1300R Hayabusa K8-	Part Number (Stainless End)	Stainless Sleeve ; 180-509-5V50
	Street Sports Slip-on R-77J Stainless End/Carbon End		Metal Magic Sleeve ; 180-509-5V20
Cyclone Type	SSR509S77C1		Titanium Sleeve ; 180-509-5V80
Main Material	Stainless Steel	Part number (Carbon End)	Stainless Sleeve ; 180-509-5W50
Weight [STD : 14.5kg]	Stainless End / (SSS) & (SMS) : 6.5kg, (STS) : 6.3kg		Metal Magic Sleeve ; 180-509-5W20
		Carbon End / (SSC) & (SMC) : 6.3kg, (STC) : 6.1kg	Titanium Sleeve ; 180-509-5W80

2. Contents:

No.	Descriptions	Part No.	Q'ty	No.	Descriptions	Part No.	Q'ty
1-A	Silencer Assy, Stainless Sleeve Right	1A6-571-5V51	1	3	Tailpipe, Right	115-509-5V00	1
	Silencer Assy, Metal Magic Sleeve Right	1A6-571-5V21		4	Tailpipe, Left	115-509-5V0A	1
	Silencer Assy, Titanium Sleeve Right	1A6-571-5V81		5	Silencer Band	162-CAX-1426	2
1-B	Silencer Assy, Stainless Sleeve Right	1A6-571-5W51	1	6	Silencer Band Rubber	896-016-0835	2
	Silencer Assy, Metal Magic Sleeve Right	1A6-571-5W21		7	Cap Bolt M8x55	800-208-5055	1
	Silencer Assy, Titanium Sleeve Right	1A6-571-5W81		8	Spacer 8-30-10	850-008-3010	1
2-A	Silencer Assy, Stainless Sleeve Left	1A6-571-5V5A	1	9	Clamp Band 47-51	162-777-4751	2
	Silencer Assy, Metal Magic Sleeve Left	1A6-571-5V2A		10	Exhaust Spring	118-001-0000	4
	Silencer Assy, Titanium Sleeve Left	1A6-571-5V8A					
2-B	Silencer Assy, Stainless Sleeve Left	1A6-571-5W5A	1				
	Silencer Assy, Metal Magic Sleeve Left	1A6-571-5W2A					
	Silencer Assy, Titanium Sleeve Left	1A6-571-5W8A					

Parts Diagram

⚠ Note and record the weight of silencer assy before installation for inner wool maintenance.



⚠ CAUTION

Since this Street Sports Slip-on excludes dB killers (SD#80, P/N 138-138-3580) from the EEC approved slip-on, the EEC Approval is not valid.