

## BMW S1000RR STREET SPORTS FULL SYSTEM R-11 SINGLE EXIT NEO HYBRID

Be sure to read the instruction carefully before starting the work. It is necessary to follow the contents to install Yoshimura product.

### 1. Product Information :

Description	BMW S1000RR Street Sports Full System R-11 Single Exit NEO HYBRID			
Part Number	Stainless Sleeve (SSC)	: 170-635-5F50	Cyclone Type	G635S11C2
	Metal Magic Sleeve (SMC)	: 170-635-5F20	Main Material	Stainless steel
	Titanium Sleeve (STC)	: 170-635-5F80	Weight [STD : 11.7kg]	(SSC) & (SMC) : 5.6kg
	Titanium Blue Sleeve (STBC)	: 170-635-5F80B		(STC) & (STBC) : 5.4kg

### 2. Applicable Model :

Model	BMW S1000RR	Engine Type	104EA
-------	-------------	-------------	-------

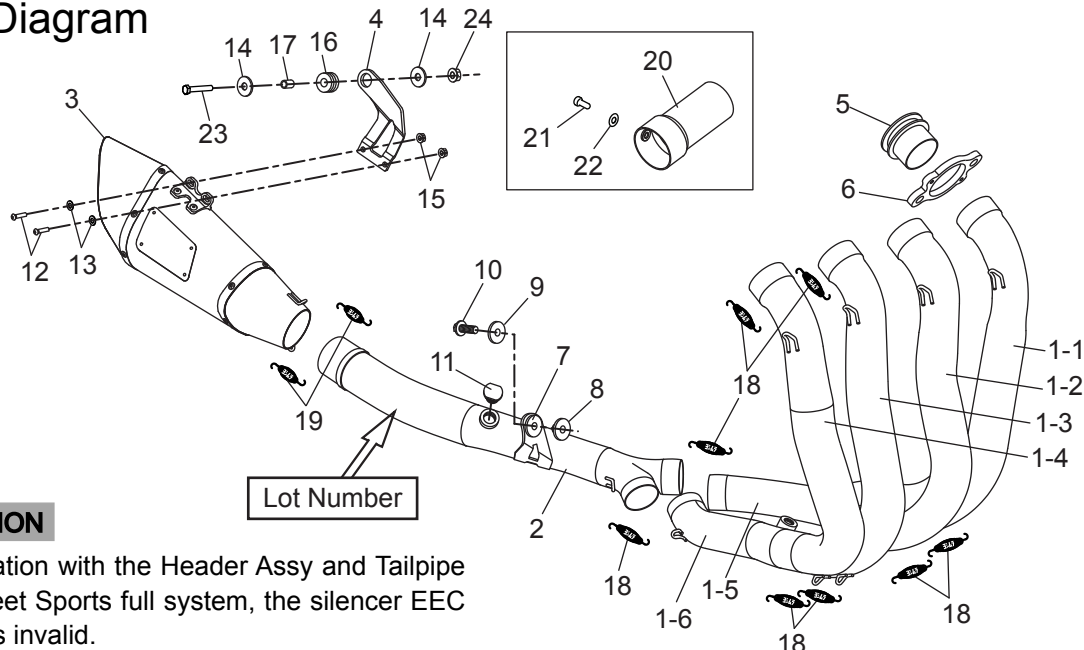
### 3. Optional Part :

Description	Part No.
BMW S1000RR (10-11) FULL SYSTEM R-11 HEAT SHIELD SET	194-635-0010
BMW S1000RR (12-) FULL SYSTEM R-11 HEAT SHIELD SET	194-635-0020
Yoshimura Optional Bracket Set BMW S1000RR FULL SYSTEM R-11	194-635-0030

### 4. Contents:

No.	Descriptions	Part No.	Q'ty	No.	Descriptions	Part No.	Q'ty
1	Header Assy	143-635-5F00	1	9	Washer M8x24	812-108-2400	1
				10	Flange Bolt M8x25	802-108-5025	1
				11	Plug	862-218-2415	1
				12	Button Bolt M6x20	803-206-4020	2
				13	Washer M6	812-106-0000	2
				14	Washer M8x26	812-108-2600	2
2	Tailpipe	155-635-5F00	1	15	Flange Nut M6	823-006-1000	2
3	Silencer Assy Stainless Sleeve	1A6-635-5F50	1	16	Grommet Rubber (Square Edge)	553-565-0000	1
	Silencer Assy Metal Magic Sleeve	1A6-635-5F20		17	Grommet Spacer	850-208-1212	1
	Silencer Assy Titanium Sleeve	1A6-635-5F80		18	Exhaust Spring (Long)	118-001-2000	14
	Silencer Assy Titanium Blue Sleeve	1A6-635-5F80B		19	Exhaust Spring (Short)	118-001-0000	2
4	Silencer Bracket	161-635-0210	1	20	dB killer SD#98	138-138-4398	1
5	Connector Pipe	142-505-3300	4	21	Cap Bolt M6x8 (Thread Lock)	800-806-4008	1
6	Flange	117-635-0000	4	22	Conical Spring Washer M6	811-106-0000	1
7	Grommet Rubber (Round Edge)	875-312-1208	1	23	Hex Bolt M8x40	802-008-5040	1
8	Grommet Spacer (with Washer)	859-008-1213	1	24	Flange Nut M8	823-008-1250	1

### Parts Diagram



#### CAUTION

In combination with the Header Assy and Tailpipe of this Street Sports full system, the silencer EEC Approval is invalid.