

## BMW S1000RR EEC APPROVED SLIP-ON R-11 DUAL EXIT

Be sure to read the instruction carefully before starting the work. It is necessary to follow the contents for installing the Yoshimura Slip-on.

**CAUTION** This product is produced for street use only. In case it is used on race circuit or tested on chassis dynameter, any damage or carbon discoloration is not included in warranty.

### 1. Product Information :

Description	BMW S1000RR EEC Approved Slip-on R-11 Dual Exit	Weight	(SS) & (SM) ; 2.1kg, (ST) ; 1.9kg [STD ; 1.5kg]
Cyclone Type	GSH635S11C1	Part Number	Stainless Sleeve ; 1A0-635-5550
Main Material	Stainless Steel		Metal Magic Sleeve ; 1A0-635-5520
EEC Approval No.	e1 0798⑨		Titanium Sleeve ; 1A0-635-5580
			Titanium Blue Sleeve ; 1A0-635-5580B

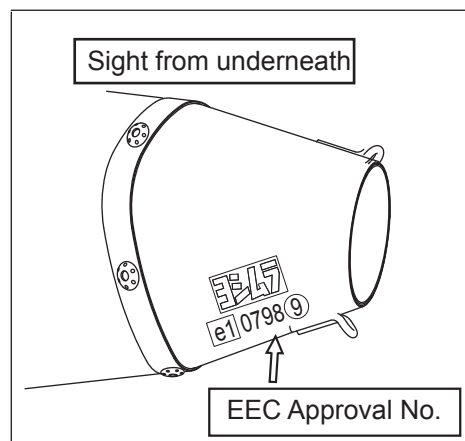
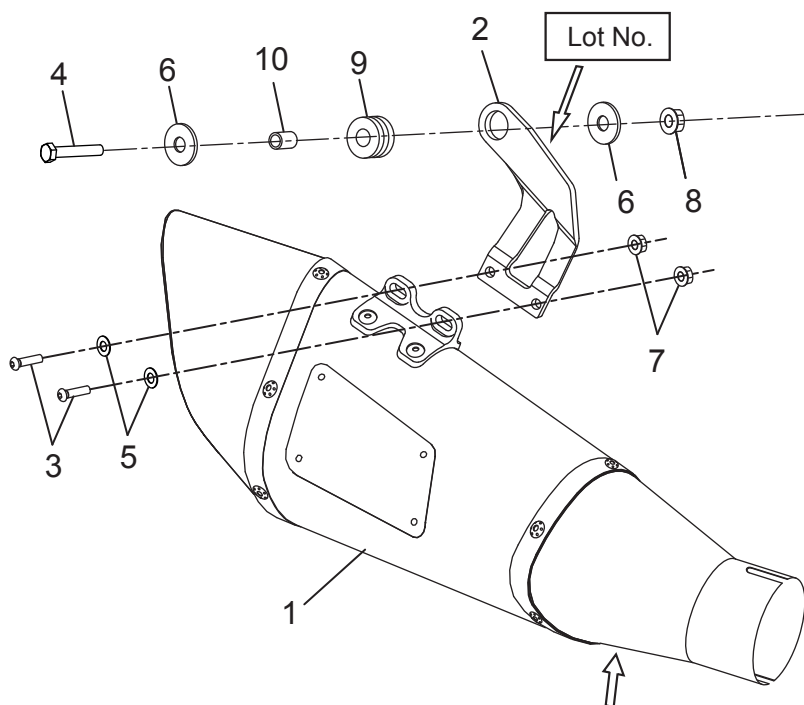
### 2. Applicable

Model	BMW S1000RR
Type of Engine	104EA

### 3. Contents :

No.	Descriptions	Part No.	Q'ty	No.	Descriptions	Part No.	Q'ty
1	Silencer Assy, Stainless Sleeve	1A6-635-5550	1	5	Washer M6x13	812-106-0000	2
	Silencer Assy, Metal Magic Sleeve	1A6-635-5520		6	Washer M8x26	812-108-2600	2
	Silencer Assy, Titanium Sleeve	1A6-635-5580		7	Flange Nut M6	823-006-1000	2
2	Silencer Bracket	161-635-0210	1	8	Flange Nut M8	823-008-1250	1
3	Button Bolt M6x20	803-206-4020	2	9	Grommet Rubber	553-565-0000	1
4	Hex Bolt M8x40	802-008-5040	1	10	Grommet Spacer	850-208-1212	1

### Parts Diagram



**!** Note and record the weight of silencer assy before installation for inner wool maintenance.

EEC Approval No.

EEC Approval No.